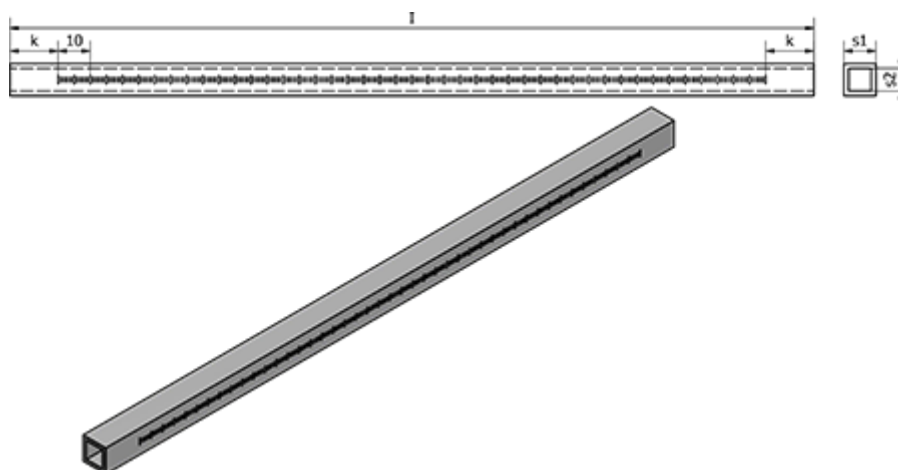


Article number: 204801V10100ALLS

Description: E+G Retaining tube with scales - GN 480.1-V10-100-AL-LS

## Measures



l	=	100
k	=	15
s1	=	V10
s2	=	7
Weight (g)	=	11